

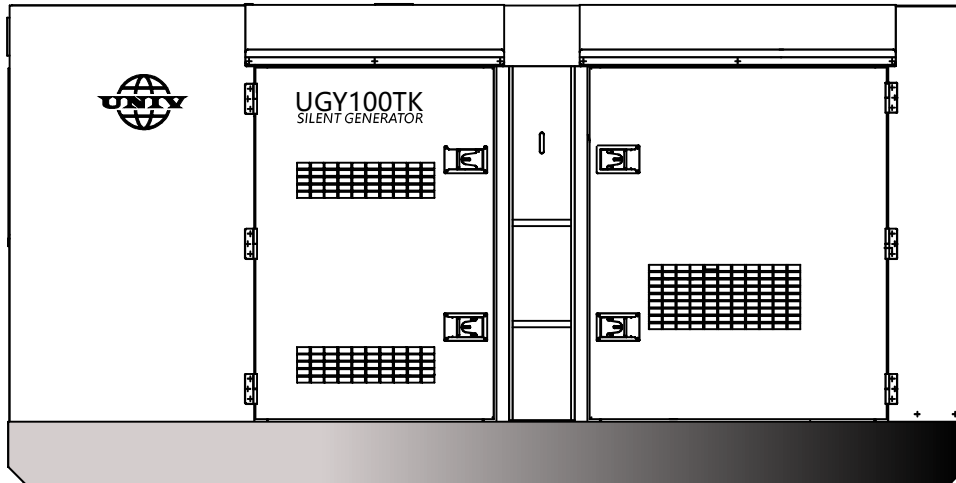


# UGY100TK

## UNIVPOWER SILENT SERIES

### POWER OUTPUT

Prime Rating — 78 kW (97.5 kVA)  
 Standby Rating — 85.8 kW (107.25 kVA)  
 3-Phase, 50 Hertz, 0.8 PF



### STANDARD FEATURES

- Heavy duty, 4-cycle, variable speed fan, diesel engine provides maximum reliability.
- Brushless alternator reduces service and maintenance requirements. Class H protection.
  - Open delta alternator design provides virtually unlimited excitation for maximum motor starting capability.
  - Automatic voltage regulator (AVR) provides precise regulation.
- Electronic governor system maintains frequency to  $\pm 0.25\%$ .
- Full load acceptance of standby nameplate rating in one step
- Soundproof, weather resistant, steel housing provides operation at 75dB (A) at 7meters. Fully lockable enclosure allows safety operation. Outdoor operation available.
- Internal fuel tank with direct observing glass, and fuel level meter display on control panel  
 E-coat and powder coat paint provides durability and weather protection.
- Digital engine gauges including oil pressure, water temperature, battery volts, engine speed, and fuel level.
- Analog generator instrumentation including Ampere meter,
- Voltage meter, frequency meter, ammeter phase selector switch, voltmeter phase selector switch. Analog generator instrumentation and regulator adjustment.
- Deepsea/Comap professional generator controller.
  - High visibility LCD display with heated screen and alphanumeric readout.
  - IP65 Protection standard, operational temperature range of -40° to 85° C.
  - Modbus interface for gauge panel and expansion options.
  - DPF cleaningcycle indication.
  - Log record for inspection
- Automatic safety shutdown system monitors the water temperature, engine oil pressure, low coolant, low DEF, overspeed, and overcrank. Warning lights indicate abnormal conditions.
- Fuel/water separator. Removes condensation from fuel for extended engine life.
- Emergency stop switch — when manually activated, shuts down in any emergency.

### UNIVPOWER SILENT SERIES

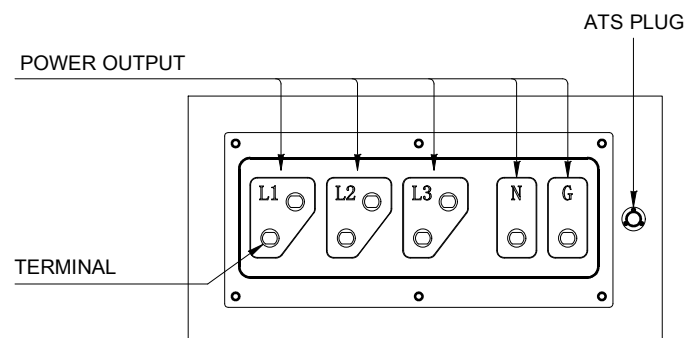
#### UNIV POWER DECIBELLEVELS

Revolving field, self ventilated weatherproof Normal conversation allows substantially lower operating noise levels than competitive designs. UNIVGensets good for home, construction sites, residential, hospital, etc.

- 90 — Subway / truck traffic
- 80 — Average city traffic  
 → UNIVGenset at 7m
- 70 — Inside car at 60 mph
- 60 — Air conditioner at 6m
- 50 — Normal conversation

**75.0**  
DECIBELS

### GENERATOR OUTPUT PANEL





# UGY100TK

## UNIVPOWER SILENT SERIES

### SPECIFICATIONS

Generator Specifications	
Model	Revolving field, self-ventilated weatherproof
Armature Connection	Star with Neutral
Phase	3
Standby Output	85.8KW (107.25KVA)
Prime Output	78KW (97.5 KVA)
Power Factor	0.8
Voltage Regulation (No load to full load)	±0.5%
Generator RPM	1500
Frequency	50 Hz
No. of Poles	4
Excitation	Brushless with AVR
Frequency Regulation: No Load to Full Load	Isochronous under varying loads from no load to 100% rated load
Frequency Regulation: Steady State	±0.25% of mean value for constant loads from no load to full load.
Insulation	Class H
Sound Level dB(A) Full load at 7M	75

Amperage	
Rated Voltage	Maximum Amps
3Ø Volt 480/277	117.3Amps
3Ø Volt 460/266	122.4Amps
3Ø Volt 400/230	140.7Amps
3Ø Volt 127/220	255.9Amps
Main Line Circuit Breaker Rating	100 Amps
Over Current Relay Trip Set Point 400V Mode	110Amps

Fuel System	
Fuel Tank Capacity	44.9 gallons (170 liters)
Fuel Consumption	L / h
At full load	18.6
At 3/4 load	13.9
At 1/2 load	10.2
At 1/4 load	5.6

Control system	
Controller Brand	SmartGen
Model	HGM420
Module	Manual/Auto start/stop module
Standard function	Engine control
	Generator monitoring
	Generator protection
	Specification
Display	Frequency
	Battery voltage
	Running hour
Warning/shutdown	under/over voltage
	under/over speed
	under/over frequency
	Low oil pressure
	High water temperature
Communication port	USB

Engine Specifications	
Make / Model	LR4M3L-D
Emissions	/
Starting System	Electric
Design	4-cycle, water cooled, direct injection, natural intake air cooled
Displacement	4.75 liters
No. cylinders	6
Bore x Stroke	110 x 125 mm
Gross Engine Power Output	115 hp (86 kW)
Compression Ratio	17 : 1
Engine Speed	1500 rpm
Overspeed Limit	1650 rpm
Oil Capacity	4.33 gallons (16.4 liters)
Coolant Capacity	7.67 gallons (29 liters)
Battery	12V 80Ah x 2

Alternator	
Alternator Brand	KWISE
Alternator Model	S274G80B1
Excitation	Brushless, Self-Excited system
Capacity(KVA)	102kva
Power(KW)	81.6kw
Efficiency(%)	86.2%
Insulation class	Class H
Protection class	Ip23
Steady state voltage regulation	±1%
Voltage control	AVR

### WARRANTY\*

#### Generator

12 months from date of purchase or 1000 hours (whichever occurs first).

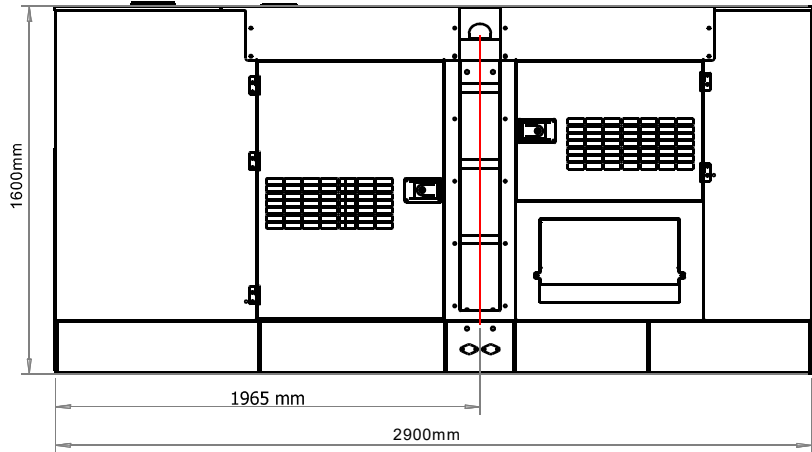
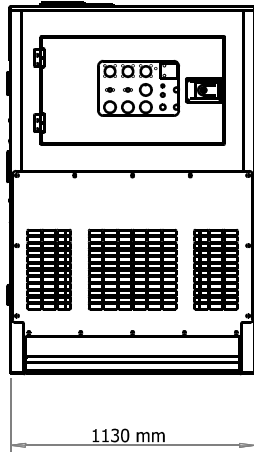
### NOTICE

Enough Air flow is extremely important to Generator operation. Improper connection can cause electrocution and/or property damage. Do not connect to any electrical system except through an approved device. Specifications are subject to change without notice.

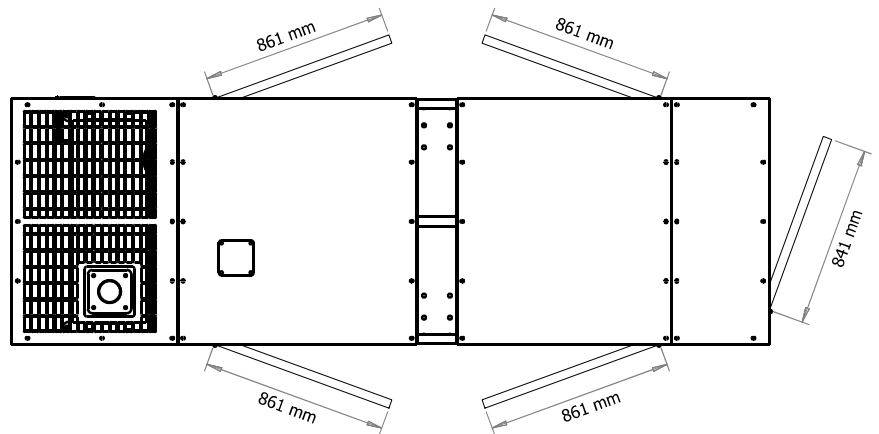


# UGY100TK

## UNIVPOWER SILENT SERIES



Weight	
Dry Weight	2,020 kg
Wet Weight	2,300 kg
Max. Lifting Point capacity	4,000 kg



Manufactured by  
**Zhejiang Universal Machinery Co., Ltd**  
Add: No 18-9 Nanshan Road, Qujiang Zone,  
Quzhou city, Zhejiang Province, CN  
Tel: 0086-570-3377022  
Fax: 0086-570-3377023  
Website: [www.univpower.com](http://www.univpower.com)